

4K Mini Fixed Bullet Network Camera

VSIP8382W-28MDA/VSIP8382W-MDA



Key Features



- High quality image with 8MP, 1/2.7"CMOS sensor
- 8MP (3840*2160)@20fps; 5MP (3072*1728)@30/25fps; 4MP (2560*1440)@30/25fps; 2MP (1920*1080) @30/25fps
- Ultra 265, H.265, H.264, MJPEG
- High image quality in low illumination environment
- 120dB true WDR technology enables clear image in strong light scene
- Support 9:16 Corridor Mode

- Built-in Mic
- Smart IR, up to 50m (164ft) IR distance
- Supports 256 G Micro SD card
- IP67 protection
- Support PoE power supply
- 3-Axis

Specifications

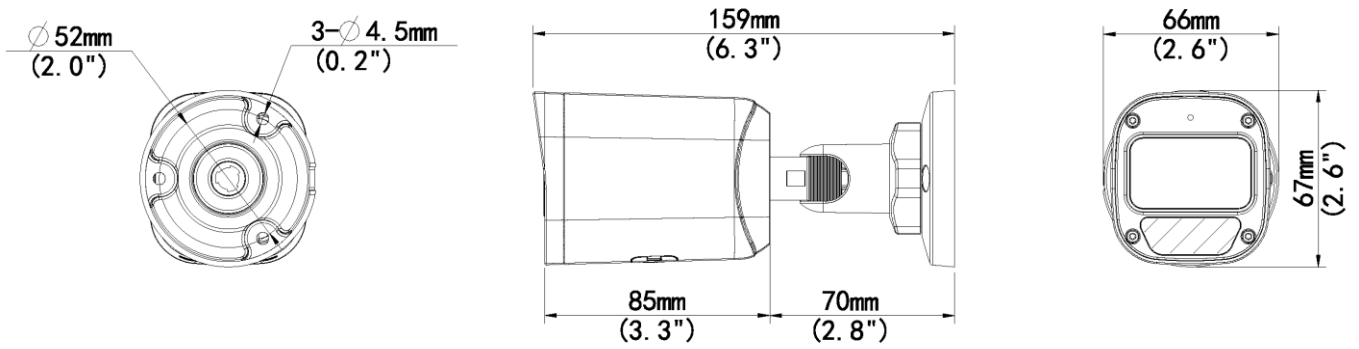
	VSIP8382W-28MDA	VSIP8382W-MDA			
Camera					
Sensor	1/2.7", 8.0 megapixel, progressive scan, CMOS				
Minimum Illumination	Colour: 0.005Lux (F1.6, AGC ON) 0Lux with IR on				
Day/Night	IR-cut filter with auto switch (ICR)				
Shutter	Auto/Manual, 1~1/100000 s				
Adjustment angle	Pan: 0° to 360° ,Tilt: 0° to 90° ,Rotate: 0° to 360°				
S/N	>56dB				
WDR	120dB				
Lens					
Lens Type	2.8mm and 4.0mm @1.6, Fixed-focal				
Lens Mount	M12				
Angle of View (H)	112.9°	91.2°			
Angle of View (V)	59.1°	47.9°			
Angle of View (D)	121.2°	95.9°			
DORI					
DORI Distance	Lens	Detect(m)	Observe(m)	Recognize(m)	Identify(m)
	2.8mm	84	33.6	16.8	8.4
	4.0mm	120	48	24	12
Illuminator					
IR Range	Up to 50m (164 ft) IR range				
Wavelength	850nm				
IR On/Off Control	Auto/Manual				

Video	
Video Compression	Ultra 265, H.265, H.264, MJPEG
H.264 code profile	Baseline Profile, Main Profile, High Profile
Frame Rate	Main Stream: 8MP (3840*2160), Max 20fps; 5MP (3072*1728), Max 30fps; 4MP (2560*1440), Max 30fps; 1080P (1920*1080), Max 30fps; Sub Stream: 1080P (1920*1080), Max 30fps; 720P (1280*720), Max 30fps; D1 (720*576), Max 30fps; 640*360, Max 30fps; 2CIF(704*288), Max 30fps; CIF(352*288), Max 30fps;
Video Bit Rate	128 Kbps~16 Mbps
U-code	Supported
9:16 Corridor Mode	Supported
OSD	Up to 4 OSDs
Privacy Mask	Up to 4 areas
ROI	Up to 8 areas
Motion Detection	Up to 4 areas
Image	
White Balance	Auto/Outdoor/Fine Tune/Sodium Lamp/Locked/Auto2
Image Setting	Image rotation, brightness, saturation, contrast, sharpness, gain adjustable by web browser
Digital noise reduction	2D/3D DNR
Smart IR	Support
Flip	Normal/Vertical/Horizontal/180°/90°Clockwise/90°Anti-clockwise
HLC	Supported
BLC	Supported
Defog	Digital Defog
Events	
Basic Detection	Cross line, intrusion(based on human body detection)
	motion detection, tampering alarm, audio detection
General Function	Watermark, IP address filtering, access policy, ARP protection, RTSP authentication, user authentication, HTTP authentication
Audio	
Audio Compression	G.711
Suppression	Supported
Sampling Rate	8KHZ
Storage	
Edge Storage	Micro SD, up to 256GB
Network Storage	ANR, NAS(NFS)
Network	
Protocols	IPv4, IGMP, ICMP, ARP, TCP, UDP, DHCP, RTP, RTSP, RTCP, DNS, DDNS, NTP, FTP, UPnP, HTTP, HTTPS, SMTP, SSL/TLS, QoS, 802.1x, SNMP
Compatible Integration	ONVIF (Profile S, Profile G, Profile T), API, SDK
User/Host	Up to 32 users. 2 user levels: administrator and common user
Security	Password protection, Strong password, HTTPS encryption, Export operation logs, Basic and digest authentication for RTSP, Digest authentication for HTTP, TLS 1.2, WSSE and digest authentication for ONVIF
Web Browser	Plug-in required live view: IE9+, Chrome 41 and below, Firefox 52 and below
	Plug-in free live view: Chrome 57.0+, Firefox 58.0+, Edge 16+

Interface	
Network	1 * RJ45 10M/100M Base-TX Ethernet
Built-in Mic	Supported
Certification	
EMC	FCC: FCC Part 15
Safety	CE: EN 60950-1 UL: UL60950-1 IEC 60950-1
General	
Power	12 V DC±25%, PoE (IEEE802.3 af)
	Power consumption: Max 6.5W
Power Interface	Ø 5.5mm coaxial power plug
Dimensions (L × W × H)	159×66×67mm (6,3"×2.6"×2.6")
Weight	0.45kg (0.99lb)
Material	Metal
Working Environment	-30°C ~ +60°C (-22°F ~ 140°F), Humidity: ≤95% RH(non-condensing)
Storage Environment	-30°C ~ +60°C (-22°F ~ 140°F), Humidity: ≤95% RH(non-condensing)
Surge Protection	4KV
Reset Button	Supported
Ingress Protection	Ingression protection: IP67



Dimensions



Accessories

VSJB832



VSJB973



VSPM963

